

Return Conductor Support Clamp Insulator



This vandal resistant insulator is designed for direct replacement of traditional porcelain insulators (Network Rail Part number 121/42/1).

Moulded onto high strength GRP rods, these insulators utilise Henley's unique EPDM dielectric cladding. This highly successful cladding has been proven around the world from deserts to arctic environments for more than 30 years. The material has outstanding pollution and weathering performance which, coupled with its non-flammability, also makes it ideal for tunnels and stations where natural rain-washing is not possible.

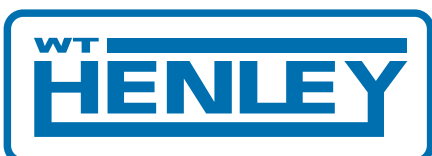
End fittings are cast malleable iron, spun galvanised to BS EN ISO 1461.

With the appropriate aluminium liner, the clamp will accept aluminium return wires from 16.5mm to 21mm diameter. (19/3.25 and 19/4.22 conductors). (Tinned copper liners for copper cables available on request)

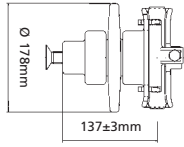
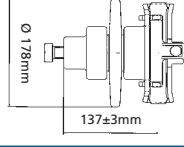
The clamp will retain the conductor without slippage at more than 400kg cable load.

The insulator can be supplied with a choice of stainless steel mounting configurations: a socket-countersunk screw for flush mounted brackets or a hexagon bolt for direct mast mounting.

- Network Rail Approval Number PA05/1083T
- Network Rail Standard RT/E/S/21082
- Light weight, easy to mount.
- Vandal resistant, low profile, not easily damaged by flying ballast.
- Unique Henley EPDM Cladding.
- High creepage shed for electrical and pollution resistance.
- Accepts and clamps a range of conductor sizes.
- Aluminium liners supplied. (tinned copper liners can be supplied on request)
- Choice of mounting arrangements.



25kV AC Polymeric Railway Insulators

| Product Code | Mounting Arrangement | Liner Material | Equivalent Part Number | Equivalent Dimensions |
|--------------|-------------------------------|----------------|------------------------|---|
| 56141-15 | Socket-Head Countersunk Screw | Aluminium | 121/42/1 |  |
| 56141-18 | Hex. Head Screw | Aluminium | 121/42/1 |  |

Note: Should you require Tinned Copper Liners please contact our sales department.

Return Conductor Support Clamp Insulator

Network Rail Approval Number PA05/1083T
 Complete with Stainless Steel CSK SKT or HEX HEAD SCREW
 Suitable for 19/3.25 and 19/4.22 conductor
 Weight: Approx. 3kg

Insulator Marking:

1. Product Code
2. Manufacture's identity
3. Year/Week number batch identity

Electrical Data

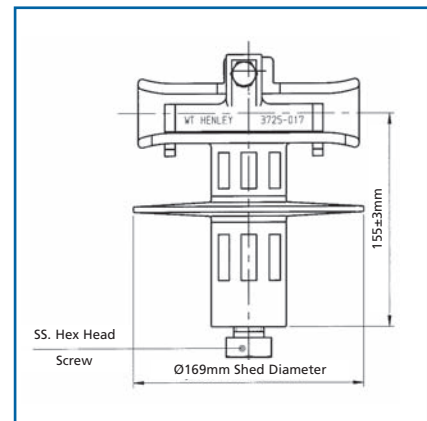
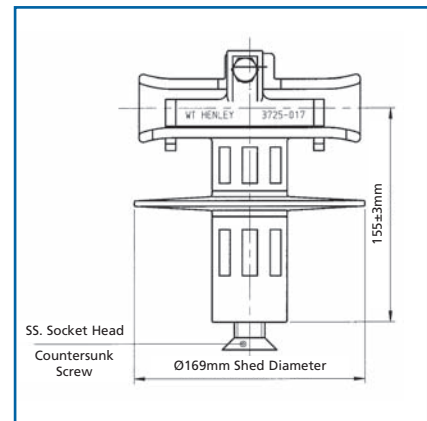
| Test | Value | Specification |
|-------------------------------|-------|-----------------------------|
| Creepage (mm) | 124 | IEC 815 |
| Taut String (mm) | 118 | |
| Impulse Flashover (DRY)(kVp) | 64 | IEC 383:1983 BS137: 1982 |
| Impulse Withstand (DRY)(kVp) | 60 | |
| AC 1 min. Flashover (DRY)(kV) | 45 | |
| AC 1 min. Withstand (DRY)(kV) | 40 | |
| AC 1 min. Flashover (WET)(kV) | 32 | |
| AC 1 min. Withstand (WET)(kV) | 27 | |

Mechanical Data

| Test | Value | Specification |
|-----------------------------|-------|---------------|
| Spec. Mech. Load (SML)(kN) | 50 | IEC 1109 |
| Routine Test Load (RTL)(kN) | 20 | |
| Min. Failing Torque (NM) | >250 | WT Henley |
| Min. Fail Cant. Load (kN) | 20 | WT Henley |

Routine Production Tests

| Component | Test | Freq. | Specification |
|-------------------|--------------------------------|-------|---|
| Moulded Substrate | Water Immersion/ Electrical | 1% | BB.QA/P.1-A: 1988 |
| Final Assembly | Mechanical | 100% | 50% SML for 1 min. |
| Final Assembly | Mechanical | 1% | 50% SML for 1 min. 120% SML for 1 min. Pull to Fail |



WT Henley Limited

Silver Key, Church Manorway
 Belvedere, Erith, Kent DA8 1EX, England

Telephone: +44 (0) 1322 444500

Facsimile: +44 (0) 1322 444502

Email: sales@wt-henley.com

Website: www.wt-henley.com



General Note The equipment detailed in this publication should be installed by a suitably qualified person. WT Henley Limited reserves the right to make changes in product specification without notice or liability. All information is subject to WT Henley's own data and is considered accurate at time of going to print.

© 2002 WT Henley Limited. All rights reserved. No part of this document may be copied or reproduced in whole or in part without prior written approval of WT Henley Limited.

