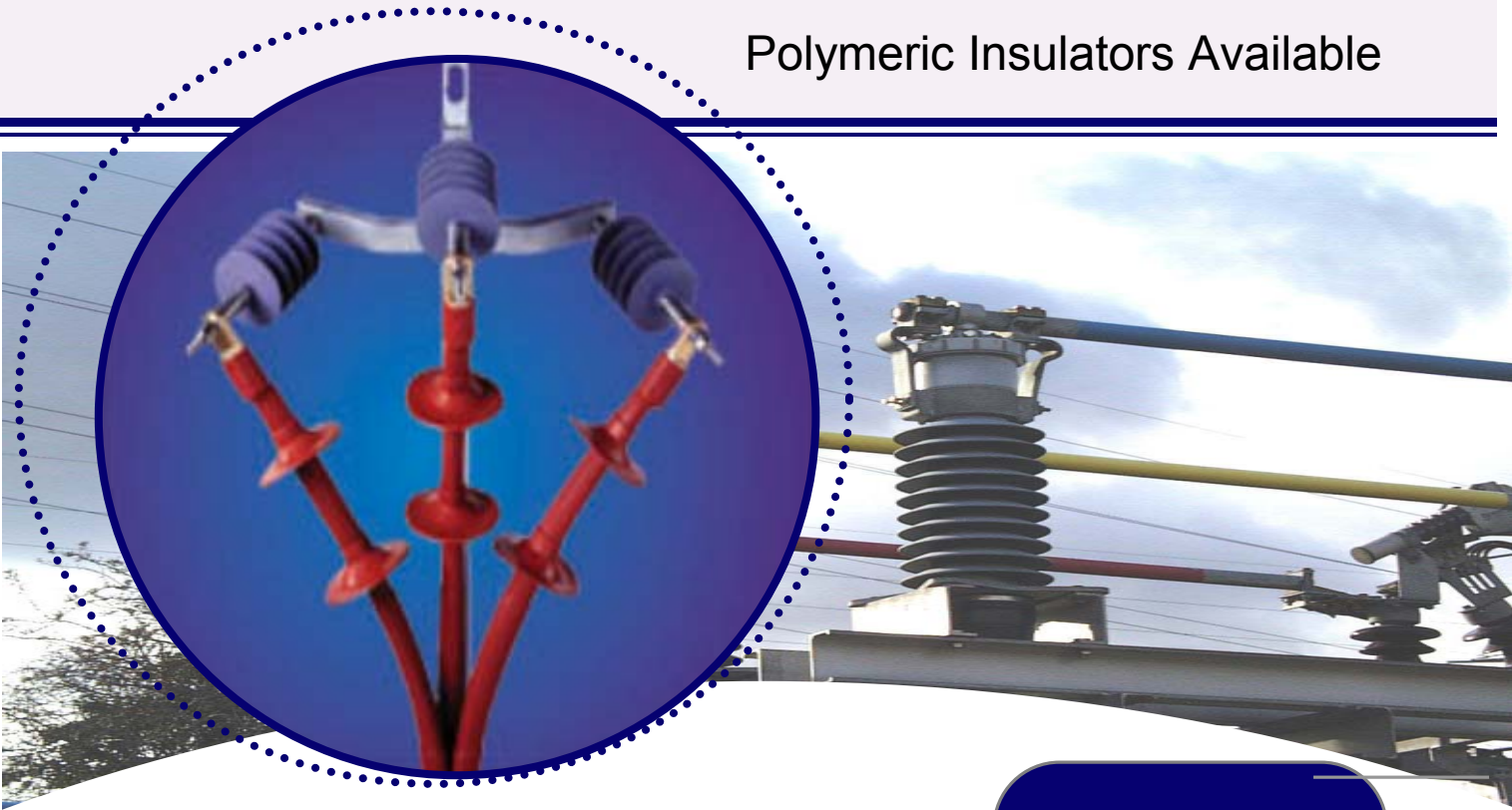


# Pole Termination Support Brackets

Polymeric Insulators Available



Pole Top Termination Support Brackets are available with or without WT Henley's own Polymeric Insulators.

Support Brackets are fabricated from steel and come with a durable galvanised finish.

Please contact WT Henley for more information on our range of Polymeric Insulators.

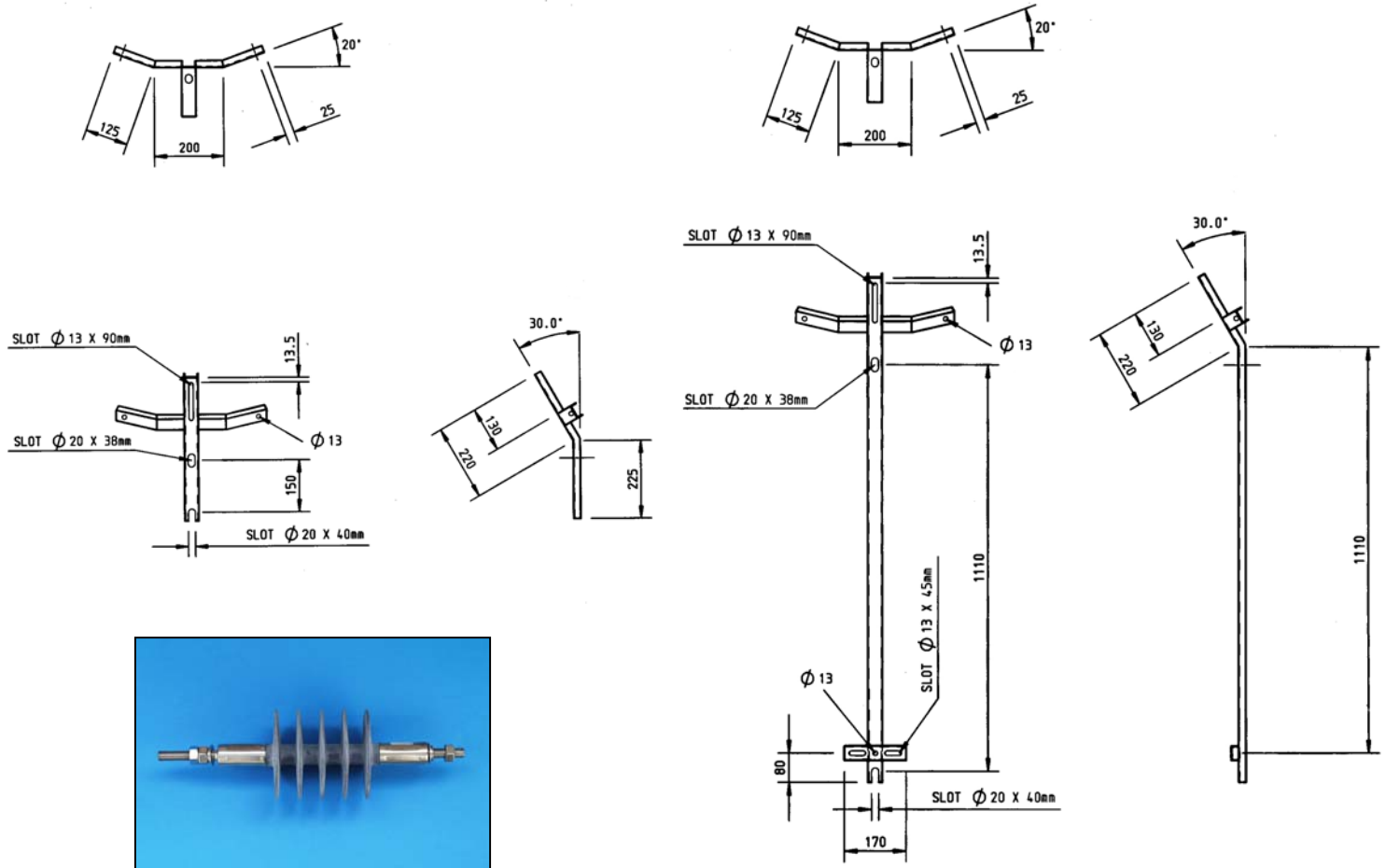
- Galvanised Finish
- Steel Construction
- Long and Short Types
- Polymeric Insulators Available



A subsidiary of TT electronics plc



**Our name carries power... Everywhere**



Product Code	Description	Weight (Kg)
52281-01	Pole Top Termination Support Bracket Type A	5.6 Kg
52281-02	Pole Top Termination Support Bracket Type B	2.3 Kg

## WT Henley Limited

Silver Key, Church Manoway, Belvedere, Erith  
Kent DA8 1EX, England

Telephone: +44 (0) 1322 444500  
Facsimile: +44 (0) 1322 444502  
Email: sales@wt-henley.com

Website: [www.wt-henley.com](http://www.wt-henley.com)



General Note The equipment detailed in this publication should be installed by a suitably qualified person. WT Henley Limited reserves the right to make changes in product specification without notice or liability. All information is subject to WT Henley's own data and is considered accurate at time of going to print.

A subsidiary of TT electronics plc

© 2006 WT Henley Limited. All rights reserved. No part of this document may be copied or reproduced in whole or in part without prior written approval of WT Henley Limited.

TDS 034. Issue 2 10.02